

## Fraction-optimised compaction



### Optimum compaction and savings

Fraction-optimised compaction (FOC) means optimum pre-setting of the pressure settings depending on the fraction chosen (residual waste, organic waste, paper or plastic). In the fraction pre-setting menu, the relevant fraction can be selected using the appropriate function key or the navigation wheel.

The fraction selection means optimum compaction is pre-determined. During the packing process, there is permanent monitoring of the system pressure. When the optimum pressure value is reached, the ejection plate is actively retracted until the pressure once more drops below the stored value. This enables maximum compaction, taking into account the relevant fraction, and achievement of the maximum payload.

## FAUN ActiFit Air

### Make full use of the permissible payload without any risk

FAUN ActiFit Air is an integrated weight indicator and compaction control program. This option gives you optimum

control over the vehicle load and ensures compliance with permissible axle loads. While the vehicle is out on collection, ActiFit Air monitors the axle loads and automatically moves the ejection plate if necessary. As soon as the set limit values are reached, compaction is stopped.

## How ECO would you like it to be?

### With FAUN, save cash while protecting the environment at the same time

FAUN gives you the choice. Our ECOPOWER options mean you can determine how comprehensively you want to optimise your refuse collection vehicle fleet in terms of reducing fuel consumption, particulate matter and nitrogen oxide, along with noise and CO<sub>2</sub> emissions.

(diesel-electric hybrid drive) you are relying on innovative and intelligent eco-systems, which are worthwhile both economically and ecologically.

In addition to the concrete benefits, such as up to 33 % lower fuel consumption and CO<sub>2</sub> emissions, you can reduce noise generation with the DUALPOWER option from a typical 106 dB(A) to as low as 90 dB(A).

With our intelligent systems, **HYDROPOWER** (lifter with KERS hydraulic accumulator), **E-POWER** (battery set for electrical operation of the body and lifter) or **DUALPOWER**

In addition to providing the technical benefits mentioned above, these positive effects are also ideally suited to improving your image in the local authority environment.

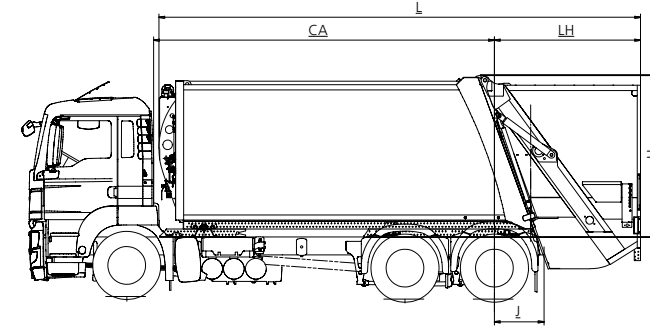


ECOPOWER OPTIONS		Lifter	Body	Chassis	Fuel economy	Noise emission reduction	CO <sub>2</sub> emissions reduction
HYDROPOWER	Hydraulic energy recovery	x			ø 14 %	+	ø 14 %
E-POWER	Battery plug-in	x	x		ø 20 %	+	ø 5 - 20 % <sup>(1)</sup>
DUALPOWER	Diesel-electric hybrid drive	x	x	x	ø 33 %	+++	ø 33 %

Real values may vary depending on the operating conditions.

<sup>(1)</sup> Depending on the energy mix of the battery.

## VARIOPRESS Technical Data



BODY	007	310	312	314	316	514	516	522	524	529
Body volume [m <sup>3</sup> ]	7	10	12	14	16	14	16	22	24	29
Weight approx. [kg] <sup>(1)</sup>	2,500	5,277	5,433	5,511	5,823	5,454	5,558	6,234	6,354	6,962
Length (L) approx. [mm]	4,320	5,042	5,442	5,642	6,242	5,442	5,742	7,042	7,272	8,442
Width (W) approx. [mm]	2,000	2,300	2,300	2,300	2,300	2,550	2,550	2,550	2,550	2,550
Height (H) approx. [mm] <sup>(1)</sup>	1,750	2,443	2,443	2,443	2,443	2,443	2,443	2,443	2,443	2,443
<b>CHASSIS RECOMMENDATION <sup>(2)</sup></b>										
Gross vehicle weight [t]	7,5	15	15	15	16-18	16-18	16-18	26	26	32
Weight approx. [kg] <sup>(1)</sup>	3,000	5,700	5,700	5,700	6,000	6,500	7,500	8,000	8,000	9,500
Wheelbase for standard driver's cab (R) approx. [mm]	3,300	3,200	3,500	3,700	4,200	3,600	3,900	3,900	4,200	4-axle
Frame overhang (J) [mm]	600	650	700	700	800	700	700	650	650	650
<b>WHOLE VEHICLE EXAMPLE <sup>(2)</sup></b>										
Height, unladen, for approx. 1,000 mm high chassis	2,650	3,500	3,500	3,500	3,500	3,500	3,500	3,500	3,500	3,500
Height in discharge position approx. [mm] <sup>(3)</sup>	3,900	5,600	5,600	5,600	5,600	5,600	5,600	5,600	5,600	5,600
Approx. overall length, without lifting and tipping system [mm]	6,500	6,900	7,200	7,400	8,100	7,300	7,700	9,050	9,270	10,300
Overhang (LH) [mm] <sup>(4)</sup>	1,770	2,184	2,234	2,234	2,334	2,234	2,234	2,184	2,184	2,184
Weight approx. [kg]	5,500	10,977	11,133	11,211	11,823	11,954	13,058	14,234	14,354	16,462
Payload approx. [kg] <sup>(4)</sup>	2,000	4,023	3,867	3,789	6,177	6,046	4,942	11,766	11,646	15,538

<sup>(1)</sup> Including auxiliary frame (acc. to DIN 70020)

<sup>(2)</sup> Variations possible, depending on chassis make and optional equipment

<sup>(3)</sup> Measurement from centre of rearmost axle to rear edge of tailgate, variations possible depending on chassis type

<sup>(4)</sup> Fitting a lifting and tipping system and special equipment to chassis and body, along with accessories, will reduce the permissible payload

Achievable payload may vary depending on the collected material and chassis

<sup>(5)</sup> With 1,000 mm frame height



FAUN Umwelttechnik GmbH & Co. KG  
Feldhorst 4  
27711 Osterholz-Scharmbeck  
GERMANY  
Tel. +49 47 95 9 55-0  
Fax +49 47 95 9 55-200  
info@FAUN.com

www.FAUN.com



REFUSE COLLECTION VEHICLES

# VARIOPRESS

**NEW GENERATION**

- ⊕ Light
- ⊕ Durable
- ⊕ Clean
- ⊕ Elegant

**RELIABLE  
PROGRESSIVE**



# VARIOPRESS – The all-rounder in the world of rear loaders

Its name says it all: FAUN's new VARIOPRESS offers the highest level of functionality in combination with elegant design. It can be used in any application and is the trend-setting solution for the disposal of all recyclable and waste materials.

You can get FAUN's new VARIOPRESS with two different body designs: With smooth side walls or, as an option, with ribs. The smooth container wall offers an optimum advertising space, and the ribs are a tribute to the classic ridged design.

## Quality without any compromises

We have improved many details that were already tried and tested. These opportunities make sure you have the best possible operation with the VARIOPRESS and FAUN – because we offer maximum quality without any compromises.

## One name – many faces

The VARIOPRESS is just as versatile as today's waste disposal tasks. With the VARIOPRESS, you can dispose of organic waste, light fraction, residual waste, paper and bulky waste. Thanks to body sizes from 7 to 29 m<sup>3</sup> and a choice of different chassis from 2.00 m to 2.50 m in width and with up to 4 axles, you will always find a perfectly dimensioned solution. A really wide range of options are available for this and you can pick one to meet your requirements.

The optional DIN connection frame enables a really wide range of lifter systems to be combined with the body. This combination allows all large waste bins from 60 litres to 1.7 m<sup>3</sup> to be emptied. If required, bulk containers of up to 4.4 m<sup>3</sup> can also be emptied with using special lifters.

However, the VARIOPRESS has also proved itself without a lifter: its low rave rail and the possibility of manual loading mean the vehicle is a worthwhile investment in every respect.

## Our strength – dialogue with the customer

Close liaison with our customers enables us to provide customised vehicles for every waste disposal task. No matter what your plans are: Our huge range of different waste collection vehicles means FAUN can always provide you with appropriate and therefore economic solutions.

Our customers particularly value the broad-based after sales support. You can get original spare parts directly from our spare parts service within 24 hours.

FAUN's services provide you with tailored financing options for your vehicle fleet: irrespective of whether you have a hire or leasing contract. You get everything directly from the manufacturer. Regular maintenance and inspections are also all part of the comprehensive FAUN service.



### Closed tailgate

The internally located cylinder and the closed guide rail, made of highly wear-resistant steel, mean there are no openings in the tailgate which might allow waste to fall out of.

2

### Integrated limit switches

Crucially extended service life for bearings and cylinder: the limit switches integrated into the cylinders (and therefore protected against damage) prevent hard impacts and peak loads. A pleasant side effect: noise reduction.

3

### Plus factor for more convenience

The tailgate on the VARIOPRESS is automatically locked and unlocked, without wear on the seal.

4

### Adjustable counter-pressure

The double-acting telescopic cylinder on the ejection plate enables precise adjustment of the counter-pressure. This means compaction can be adjusted or completely switched off, depending on the fraction.

5

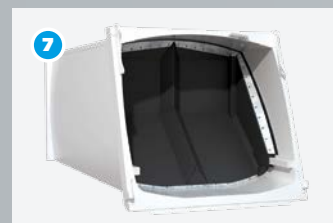
### Nothing gets stuck here

The gap between the packer plate and the hopper increases when the packer plate swings – this means nothing gets jammed. Because the hopper is kept flexible, it can respond to concentrated loads in a supple way. This reduces the risk of cracking and breaking – for longer service life, even in tough everyday use.



### Protected hydraulic lines

The hydraulic pipes on the roof are well protected by the frame against damage from branches.



### Greater volume

The ejection plate is designed so that it can be brought really close up to the driver's cab in its frontmost position. This gives large volumes and high payload with a short wheelbase. Thanks to the standard series production sealing of the ejection plate to the body wall, to the floor and to the top, fewer residues are left in the body.



### Hot-dip galvanised mounting frame

The universal mounting frame enables simple assembly of the body. The galvanised mounting frame is protected against corrosion and can be installed onto any chassis without any specific modifications.



### Clean sliding

A clever idea from FAUN: packing between the rollers of the slide wall prevents any refuse getting into into the guide rails. The dreaded deposits which slowly constrict the guide rails are thus prevented from the outset. Clean machines keep going longer.



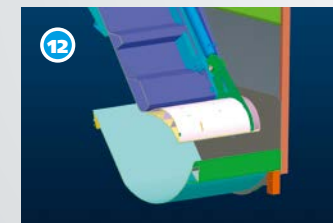
### Everything to hand

All the control functions in a compact operating unit at the rear: this means staff have everything in sight and everything to hand – a crucial contribution to health and safety at work.



### Integrated tailgate operation

The "Close tailgate" buttons are integrated into the body.



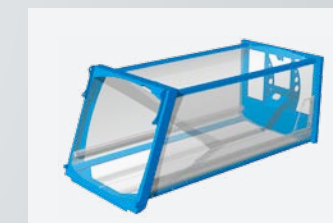
### Long service life

Particularly high forces are exerted right in the tailgate. Highly wear-resistant steel and robust sheet thicknesses are used here for a longer service life.



### Optional frames

The new body can be enhanced with the traditional ribs if requested.



### The new body

The new body is ideally suited for displaying advertising with its smooth side wall. In addition, the new cell is 250 kg lighter than the previous model for the same volume.



### Precision through roll forming

Roll-formed profiles in the corners of the body and on the guide rail for the ejection plate enable us to achieve even higher precision. The fact that the guide rail is no longer in the floor area enables easy cleaning and prevents packets of dirt. This also means less corrosion.



### Precise production

FAUN focuses on quality. All components are shot-blasted and robot-welded.



### FAUN CONTROL SYSTEM (FCS)

The VARIOPRESS is equipped with the FAUN CONTROL SYSTEM (FCS) which offers an extensive range of functions and maximum reliability with its CANBus controller.