



GARBAGE COMPACTOR

- ⊕ Proven
- ⊕ Durable
- ⊕ Low-maintenance
- ⊕ Reliable

ROTOPRESS

RELIABLE
PROGRESSIVE

 **FAUN**
KIRCHHOFF GROUP

ROTOPRESS – Cleanliness at every turn

Long-term economy

The ROTOPRESS stands up to any comparison when it comes to economy. The sophisticated rotary drum system makes the ROTOPRESS the most economic garbage compactor for the disposal of household waste and similar commercial waste - in multi-shift operation too. The operating costs for the ROTOPRESS are in fact lower than all other garbage compactor concepts for the same load capacity.

With the appropriately dimensioned lifter the ROTOPRESS can empty all containers, from 60 litre bins up to large 1,100 litre waste bins. One of the ROTOPRESS's main strengths is collecting organic waste which is immediately homogenised in the drum.

Blends wonderfully into the townscape

With its attractive design, the ROTOPRESS blends perfectly into the townscape. Even after many years of service, it still looks good and is also in tip-top technical condition. No wonder its resale value is so high.

Our strength – dialogue with the customer

Close liaison with our customers all over the world enables us to provide customised vehicles for every waste disposal task. No matter what your plans are: our huge range of different waste disposal vehicles means FAUN can always provide you with appropriate and therefore economic solutions.

Our customers particularly value the broad-based after sales support. You can get original spare parts directly from our spare parts service within 24 hours.

FAUN's services provide you with tailored financing options for your vehicle fleet: irrespective of whether you have a hire or leasing contract. You get everything directly from the manufacturer. Regular maintenance and inspections are also all part of the comprehensive FAUN service.



The favourite for organic waste

The rotating drum principle makes the ROTOPRESS the ideal collector for organic waste. The organic materials are loosely blended and therefore already excellently homogenised during collection – fluid is immediately mixed in again. The constant rotation aerates the waste and reduces the formation of anaerobic zones which are the source of unpleasant smells.



Emptying made easy

The container is emptied by changing the direction of rotation of the drum. This process allows the drum to clean itself without leaving any residues – there is no expensive cleaning to do in difficult to access places, corrosion is prevented and clusters of smells cannot even begin to develop.



Cleverness at every turn

A clean machine: the waste is continuously rotated and in the process crushed and conveyed forwards by two screw channels. The waste is finally compacted in the screw press channel as it narrows.



No leaks here

Tightly sealed right down to the tiniest gap. The ROTOPRESS container is designed so that water (when dealing with organic waste), dust and ash cannot escape. The optional wastewater tank at the rear collects the stagnant seepage water.

The rotary drum - low and easy maintenance

It is only the drum that is constantly in motion with the ROTOPRESS. This means maintenance and repairs arise less frequently, even in multi-shift operation. This is among the reasons why the ROTOPRESS is one of the most economical vehicles in terms of upkeep.

Further advantages of the drum: Easy, residue-free emptying, maintenance-friendly screw press, perfect leaktightness, no residues, no smell. Cost-efficient, hygienic, manoeuvrable and environmentally friendly, (meets the requirements of RAL UZ 59) – this all makes the ROTOPRESS the optimum solution for a wide range of waste disposal tasks.

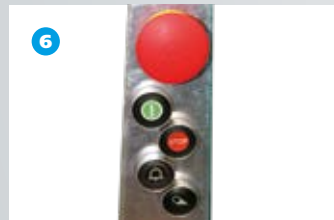
Fraction-optimised compaction for effective compaction and savings

The driver selects the fraction. The optimum pressure values for the selected fraction are now active. A proportional pressure control valve is set to the selected fraction. An optimum pressure is set. Drum rotation stops when the maximum pressure is exceeded.



Replacement made easy

Screws instead of welding – the patented FAUN system prevents expensive repairs: the wear plates of the screw press can be easily replaced after many years of service. This reduces operating costs and saves money and time at every regular service.



Easy to operate

Simple, safe operation:

- Pushbutton for tumbler rotation in compaction direction ON
- Pushbutton OFF
- Pushbutton for tailgate OPEN and CLOSED
- Pushbutton for tumbler rotation in discharge direction



Fewer moving parts

It is only the drum that moves with the ROTOPRESS. Fewer moving parts – that means less maintenance and fewer repairs.



More powerful hydraulics

The ROTOPRESS now has a stronger hydraulic drive which ensures greater compaction.



Tailored auxiliary frame

The tailored auxiliary frame enables simple installation of the drum on the respective chassis.



Manoeuvrable

Body sizes from 10 to 41 m³ and various chassis to choose from: you are well-equipped for every application with the ROTOPRESS. The extremely short overhang means the vehicle is always amazingly manoeuvrable and its exemplary axle load distribution is impressive in all load conditions.



Load more – fill up less

Important benefit: The ROTOPRESS weighs 800 kg less on the scales than a rear loader with the same capacity. This means the payload is increased and fuel consumption reduced.



FAUN CONTROL SYSTEM (FCS)

The ROTOPRESS is also equipped with the FAUN CONTROL SYSTEM (FCS) which offers an extensive range of functions and maximum reliability with its CANBus controller.

**RELIABLE
PROGRESSIVE**

ROTOPRESS XL

The transport solution

With the ROTOPRESS XL, FAUN offers an efficient option for the transport of waste and recyclable fractions.

The ROTOPRESS XL is a cost-effective alter-native as a long-distance transport solution for long distances to waste treatment plants. You are able to choose between different drive options depending on the energy sources at the start and destination locations. Completely autonomous with an integrated diesel engine. Alternatively with quick hydraulic couplings, if stationary assemblies or tractors equipped with suitable hydraulics are available for unloading. Or electrically powered, if there are suitable power connections available.

The recyclable materials collected are transported into the funnel by means of a conveyor belt or gravity. The rotating drum transports and compacts the waste again, if required.

Any liquids are evenly distributed during this process and not pressed out; nothing drips and there is far less odour. The ROTOPRESS XL's 41 m³ capacity and cost-effective, hygienic and environmentally friendly operating mode make it the perfect solution for long-distance haulage with separation of collection and transport.

Benefits to you:

- Collection and transport – mobile and flexible
- Low-maintenance and highly reliable
- Environmentally friendly, hygienic and safe
- Attractive in terms of transporting domestic waste, organic waste and lightweight fraction
- Mobile transfer station
- Also fully operation in sub-zero temperatures



How ECO would you like it to be?

With FAUN, save cash while protecting the environment at the same time.

FAUN gives you the choice. Our ECOPOWER options mean you can determine how comprehensively you want to optimise your garbage compactor fleet in terms of reducing fuel consumption, particulate matter and nitrogen oxide, along with noise and CO₂ emissions.

With our intelligent systems, E-POWER (battery set for electrical operation of the body and lifter) or DUALPOWER

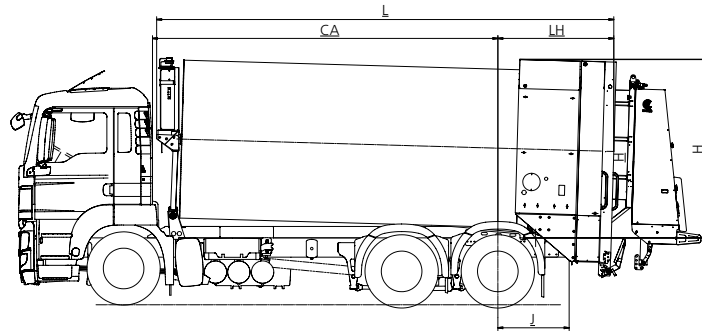
(diesel-electric hybrid drive) you are relying on innovative and intelligent eco-systems, which are worthwhile both economically and ecologically. In addition to the concrete benefits, such as up to 33 % lower fuel consumption and CO₂ emissions, you can reduce noise generation with the DUALPOWER option from a typical 106 dB(A) to as low as 90 dB(A).

As well as providing the technical benefits mentioned above, these positive effects are also ideally suited to improving your image in the local authority environment.



ECOPOWER OPTIONS		Lifter	Body	Chassis
E-POWER	Battery plug-in	x	x	
BLUEPOWER	Fully electric chassis, optional hydrogen fuel cells range extender to increase range	x	x	x

ROTOPRESS Technical Data



BODY	008	510	514	516	518	520	522	525	XL
Body volume [m ³]	8	10	14	16	18	20	22	25	41
Weight approx. [kg] ⁽¹⁾	3.700	4.315	4,650	4,800	5,100	5,270	5,430	6,000	8,100
Length (L) approx. [mm]	4.510	4.060	4,705	5,280	5,880	6,410	7,010	7,360	13,400 (Funnel)
Width (W) approx. [mm]	2.100	2.550	2,550	2,550	2,550	2,550	2,550	2,550	2,550
Height (H) approx. [mm] ⁽¹⁾	2.140	2.370	2,370	2,370	2,370	2,370	2,370	2,370	2,500
CHASSIS RECOMMENDATION ⁽²⁾									Trailer
Gross vehicle weight [t]	12	16	18	18	26	26	26	32	40
Weight approx. [kg] ⁽¹⁾	4.000	5.000	6,500	7,500	8,000	8,000	8,000	9,500	5,100
Wheelbase for standard driver's cab (R) approx. [mm]	3.300	3.100	3,600	4,200	3,600/ 1,350	3,900/ 1,350	4,500/ 1,350	3,650/1,450/ 1,350	6,000/1,310/ 1,310
Frame overhang (J) [mm]	1.000	1.000	1,000	1,000	1,000	1,000	1,000	1,000	1,000
WHOLE VEHICLE EXAMPLE ⁽²⁾									
Height, unladen for approx. 1,000 mm	2.920 (RH = 780)	3.370	3,370	3,370	3,370	3,370	3,370	3,370	3,850 (RH=1440)
Height in emptying position approx. [mm]	3.450	4.200	4,200	4,200	4,200	4,200	4,200	4,200	5,150 (Funnel)
Overall length without lifting and tipping system approx. [mm]	6.200	5.950	6,710	7,280	7,880	8,410	9,010	9,360	15,850 (Funnel)
Overhang (LH) ⁽³⁾ [mm]	1.600	1.630	1,630	1,630	1,630	1,630	1,630	1,630	3,000 (Funnel)
Weight approx. [kg]	7.700	9.315	11,150	12,300	13,100	13,270	13,430	15,500	20,200
Payload ⁽⁴⁾ approx. [kg]	4300	6.685	6,850	5,700	12,900	12,730	12,570	16,500	19,800

⁽¹⁾ Including auxiliary frame (acc. to DIN 70020)

⁽²⁾ Variations possible, depending on chassis make and optional equipment

⁽³⁾ Measurement from centre of rearmost axle to rear edge of tailgate without lifter, variations possible depending on chassis type

⁽⁴⁾ Fitting a lifting and tipping system and special equipment to chassis and body, along with accessories, will reduce the permissible payload
Achievable payload may vary depending on the collected material and chassis



FAUN Umwelttechnik GmbH & Co. KG
 Feldhorst 4
 27711 Osterholz-Scharmbeck
 GERMANY
 Tel. +49 47 95 9 55-0
 Fax +49 47 95 9 55-200
 info@FAUN.com

www.FAUN.com