

**P 240 A** *Smart*

**PALFINGER**

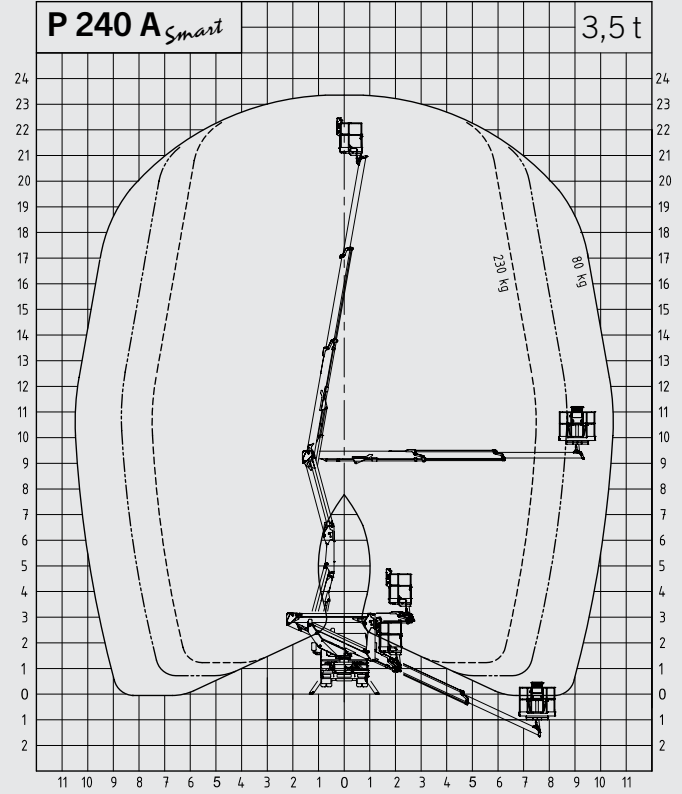
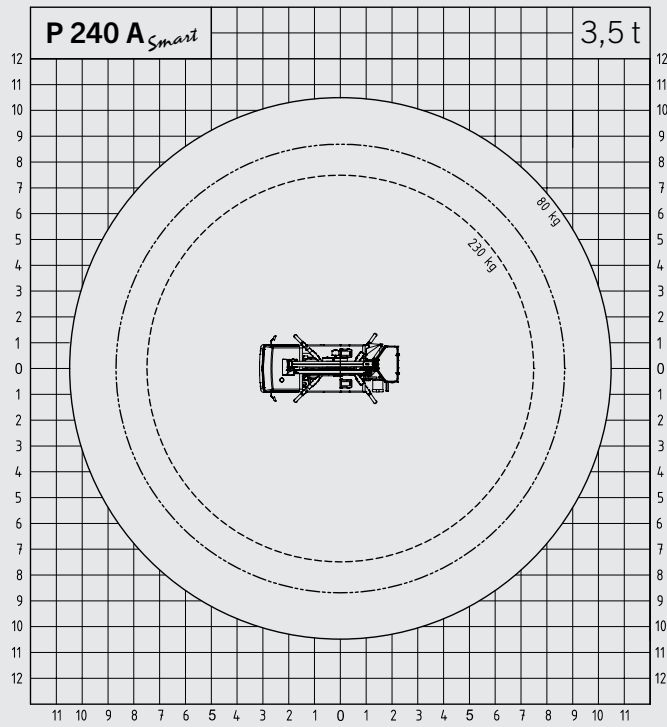
LIFETIME EXCELLENCE

**THE BEST SOLUTION FOR EFFICIENT OPERATIONS IN TERMS OF PERFORMANCE, SIZE AND RELIABILITY**

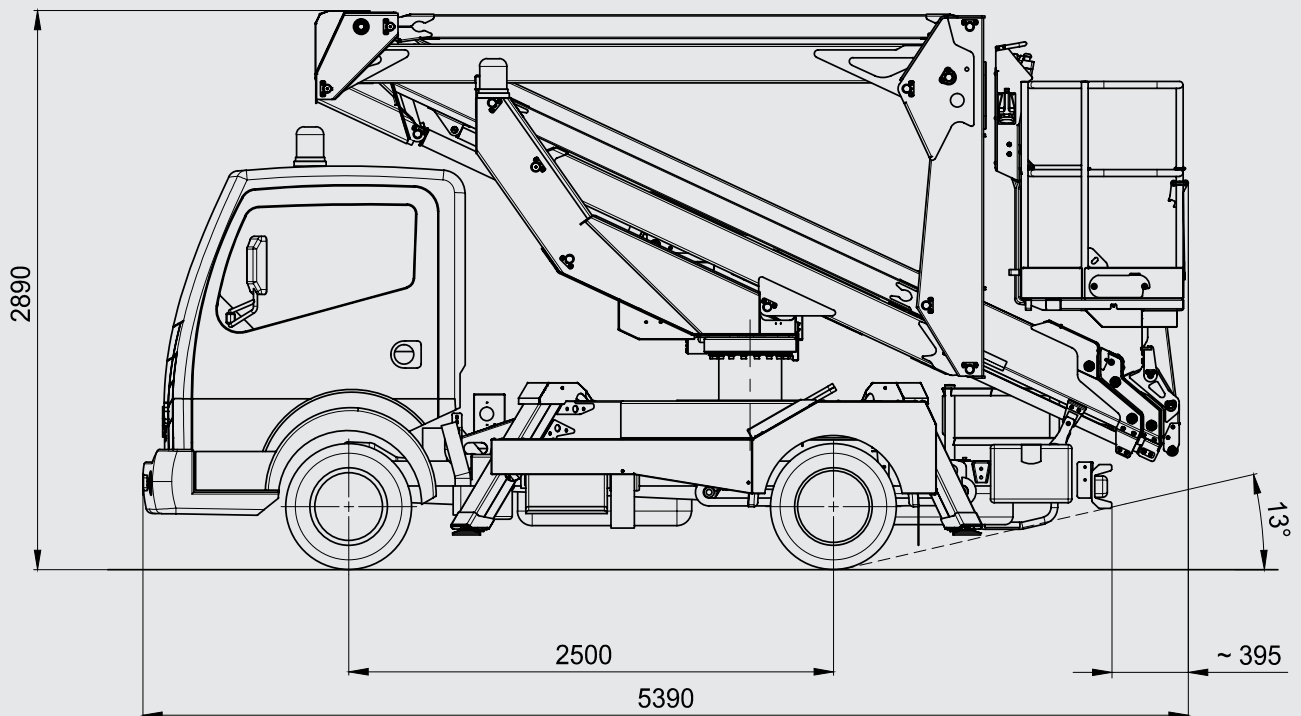


# P 240 A *Smart*

## WORKING DIAGRAMS



## DIMENSIONS





- Shortest machine in its class
- Small & clever for use in city centres
- Compact design and easy operation
- Fully hydraulic operation
- Ergonomic design
- Flexible access to heights thanks to combination of joint and telescope
- High manoeuvrability thanks to the extremely short wheelbase
- Safe working
- Professional PALFINGER quality

## TECHNICAL SPECIFICATIONS

Max. working height	23.2 m
Max. basket bottom height	21.2 m
Max. outreach	10.2 m
Angle of main boom	-25° to + 80°
Rotation angle of turntable	370°
Rotation angle of basket	2 x 90°
Basket load	230 kg
Size of basket	1.4 x 0.85 x 1.1 m
Height in transport position	2.89 m
Width in transport position	2.1 m
Total length	5.39 m
Total weight	3350 kg

## OPTIONAL

Fiberglass basket
Insulation 1000 V
Aluminium Side bars 200 mm
Electric motor 230 V
Working adjustable light 60 W on the basket
Customised paintwork boom

# LIFETIME EXCELLENCE

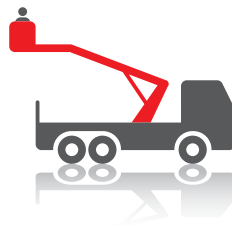
THE RESULT IS **PALFINGER ACCESS PLATFORMS** FEATURING THE MOST STATE-OF-THE-ART HEIGHT TECHNOLOGY THAT ACHIEVE ABSOLUTE PEAK PERFORMANCES, EVEN WHEN CONFRONTED WITH THE MOST DIFFICULT OF JOBS IN PRACTICE. **DEVELOPED FOR THE GLOBAL MARKET, DESIGNED FOR THE FUTURE.**

BETTER  
SOLUTIONS

BETTER  
EFFICIENCY

BETTER  
ERGONOMICS

HIGHER VALUE  
RETENTION



HIGHER  
AVAILABILITY

HIGHER  
SERVICEABILITY

BETTER  
ECOLOGY

MORE  
RELIABILITY

For further information please visit: [www.palfinger.com/thebrand](http://www.palfinger.com/thebrand)