

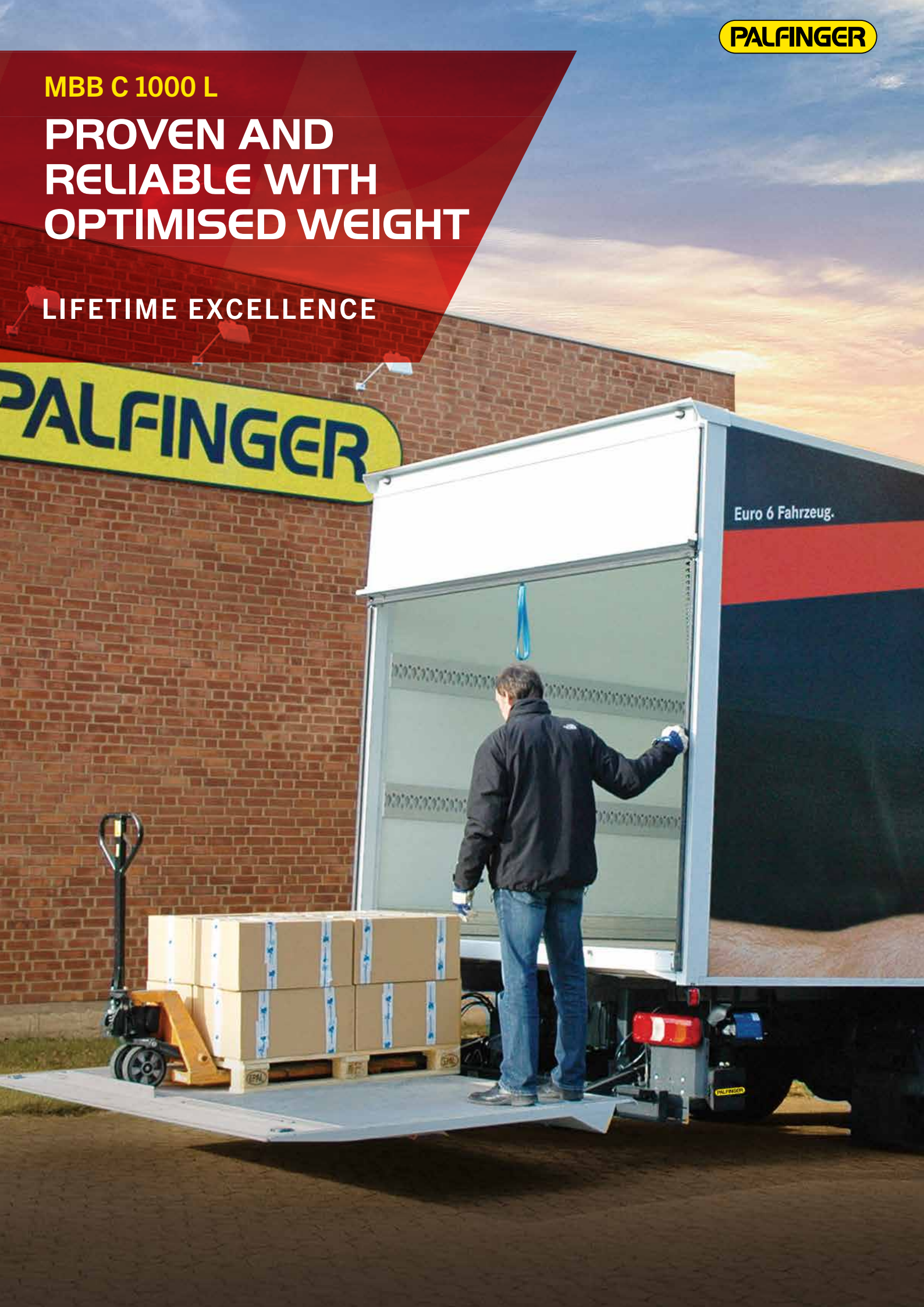
MBB C 1000 L

**PROVEN AND
RELIABLE WITH
OPTIMISED WEIGHT**

LIFETIME EXCELLENCE

PALFINGER

Euro 6 Fahrzeug.



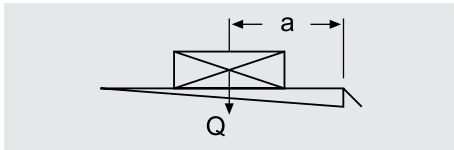
MBB C 1000 L

PROVEN AND RELIABLE WITH OPTIMISED WEIGHT

MBB C 1000 L

- Weight-optimised tail lift with four cylinders
- Particularly suitable for lightweight and medium-weight distribution transport
- Approval of underride guard for maximum permissible weight of 12 t
- Equipment with aluminium or steel platform
- 1,000 kg lifting capacity with 600 mm load distance
- Two different lifting arm lengths and lifting arm pitches available

LOAD DIAGRAM



MBB C 1000 L	
a (mm)	Q (kg)
600	1000
750	800
950	600
1400	400

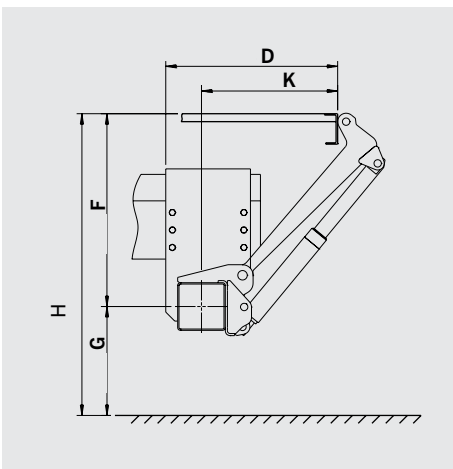
WEIGHTS

Plattformtyp	height (mm)	width (mm)	weight (kg)
Aluminium	1550	2400	282
	1700	2400	289
	1825	2400	295
Steel	1209	2400	312
	1509	2400	357
	1809	2400	402

TECHNICAL DATA

Lifting capacity	1000 kg
Main beam	180 x 180 mm
Lifting gear hydraulics	2 x lifting cylinders 2 x tilting cylinders
Platform overlap with floor	- 44 mm
Lifting arm pitch	1100 / 1320 mm
Load centre, longitudinal	600 mm
Load centre, across centre	Central, 50% of rated load on one side
Inclination angle of the platform	+90° to - 10°

DIMENSIONS



Lifting arm lengths (in mm)	600	700
H (max.) loading height, unloaded	1100	1210
H (min.) loading height, loaded	750	830
F (max.) middle of main beam to upper edge of loading floor	620	650
K (min.) at dimension F (max.)	467	592
D (min.) installation dimension, minimum	617	742
F (min.)	420	500
K (max.) at dimension F (min.)	652	721
D (max.) installation dimension, maximum	802	871

PALFINGER Tail Lifts GmbH
 Fockestraße 53
 27777 Ganderkesee
 Deutschland
www.palfinger.com



Some of the tail lifts pictured feature special customer-specific equipment. Country-specific regulations must be considered for the tail lift installation. Dimensions may vary. Subject to technical changes, errors and translation mistakes.